

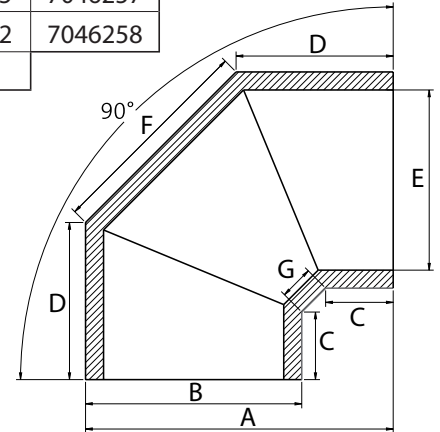
## TECHNICAL SHEET



90° EPE insulating and airtight bend to circumvent obstacles or vary duct direction. It minimizes heat loss and prevents the formation of condensation. The smooth inner surface also reduces pressure loss. Single pack.



	A	B	C	D	E	F	G	Zeta	Cod.	
<b>DN 125</b>	238	157	60	125	125	159	30	0,88	7046255	
<b>DN 160</b>	274	192	60	140	160	189	30	0,85	7046257	
<b>DN 200</b>	318	232	65	161	200	222	30	0,52	7046258	
	[mm]							[-]		



### PRODUCT PROPERTIES

- Well-insulated, Airtight
- Low pressure drop due to smooth inner surface
- Non-porous, Doesn't rust
- Compact, mechanical connections (i. e. no tape or sealants required)
- Extremely light material
- Easy and safe to cut, Easy to dismantle for maintenance
- Impact resistant (i. e. no dents)
- Zero carbon footprint

FEATURES	VALUE	U.M.	STANDARD
Material	EPE		
Pipe thickness	16	mm	
Density	30	Kg/m <sup>3</sup>	
Heat Transfer coefficient	0,041	W/(m · K)	EN 12667
Thermal Resistance	0,39	(m <sup>2</sup> · K)/W	
Temperature Range	Min -30   Max +60	°C	
Fire Class	B1		DIN 4102
Reaction to Fire	B - s2, d0	Euroclass	EN 13501 - 1:2018
Airtightness	D		EN 12237
	ATC 2		EN 16798
Color	Grey		
Function	Transport of air for ventilation and/or heating and/or cooling		

